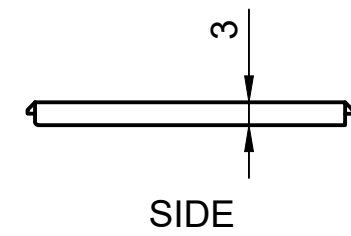
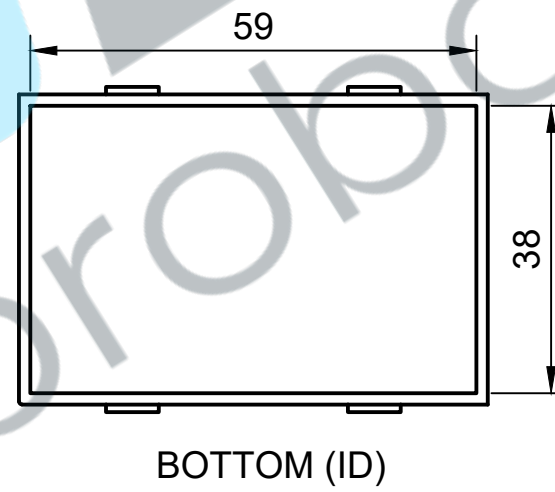
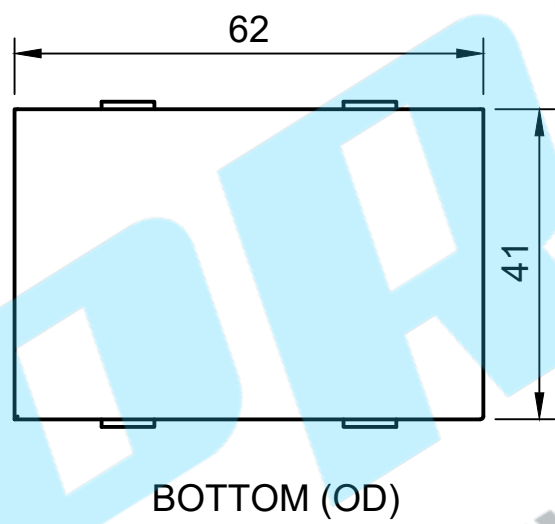
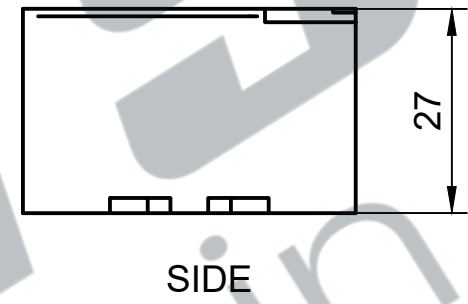
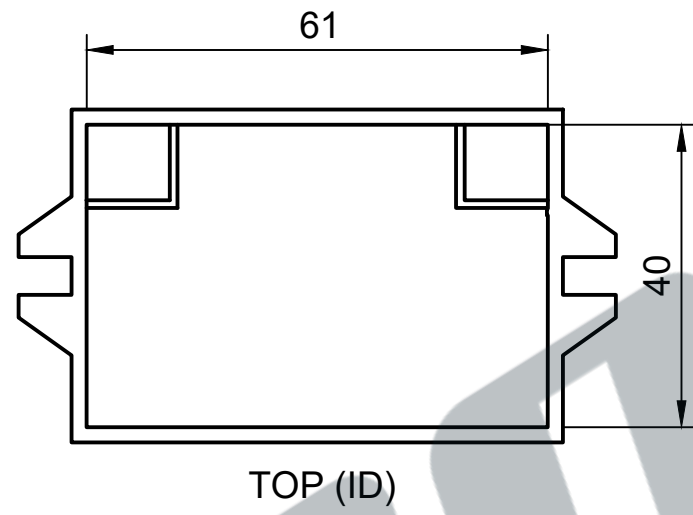
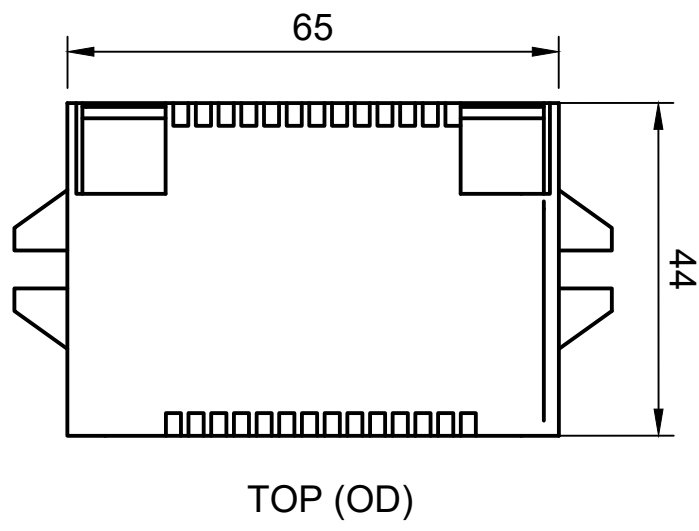


NOTE :All dimenstions are in mm.

| | | | |
|----------------------|---------------------|--|--|
| Dept. MECH | Technical reference | Created by HEMANTH C 8/13/2020 | Approved by PRATHEEK 8/13/2020 |
| | | Document type | Document status |
| | | Title PROBOTS PES10 | DWG No. 1 |
| | | Rev. | Date of issue 8/13/2020 |
| | | Sheet 1/2 | |



NOTE : All dimenstions are in mm.
 OD - Outer diameter.
 ID - Inner diameter.

| | | | |
|---------------|---------------------|-----------------------------------|-----------------------------------|
| Dept. MECH | Technical reference | Created by HEMANTH C 8/13/2020 | Approved by PRATHEEK 8/13/2020 |
| | | Document type PDF | Document status |
| | | Title PROBOTS PES10 | DWG No. 2 |
| | | Rev. | Date of issue 8/13/2020 |
| | | Sheet 2/2 | |