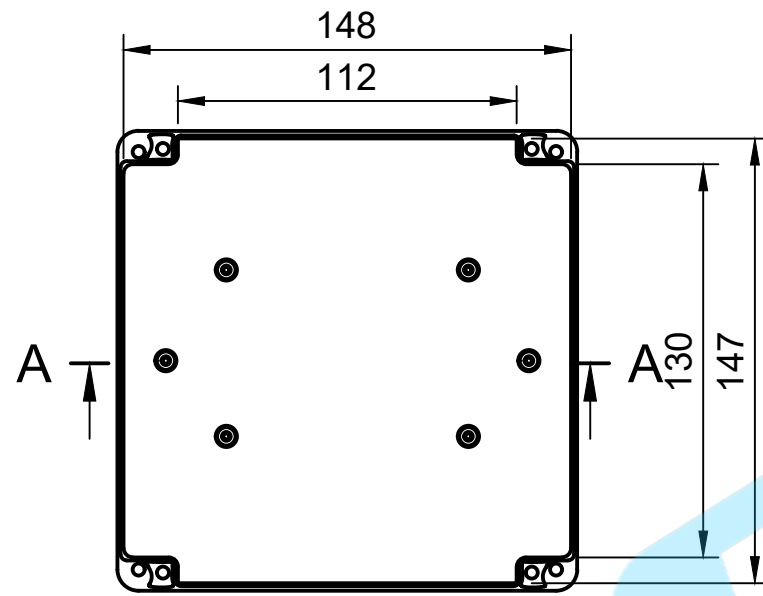
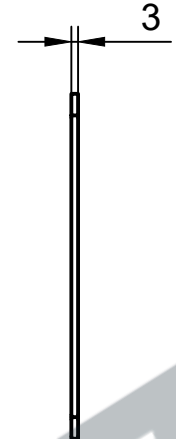
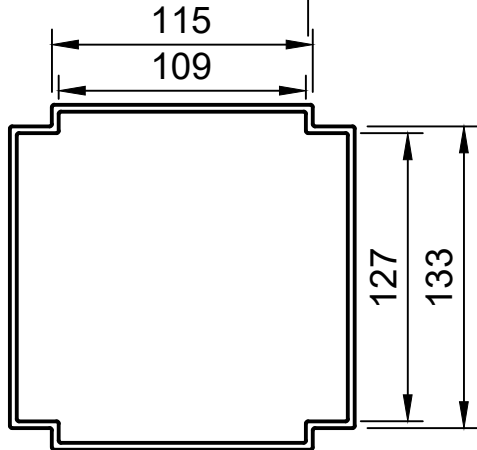
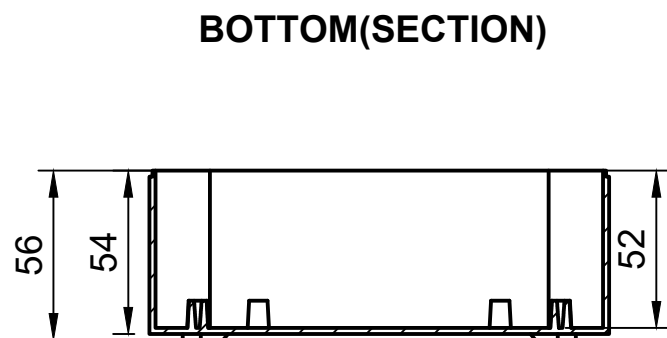


ISO

1)TOP.
2)GASKET.
3)BOTTOM.

Dept. MECH	Technical reference	Created by HEMANTH C 9/26/2020	Approved by PRATHEEK 9/26/2020
		Document type PDF	Document status
		Title WPE04 PROBOTS	DWG No. 1
		Rev.	Date of issue 9/26/2020
		Sheet 1/2	

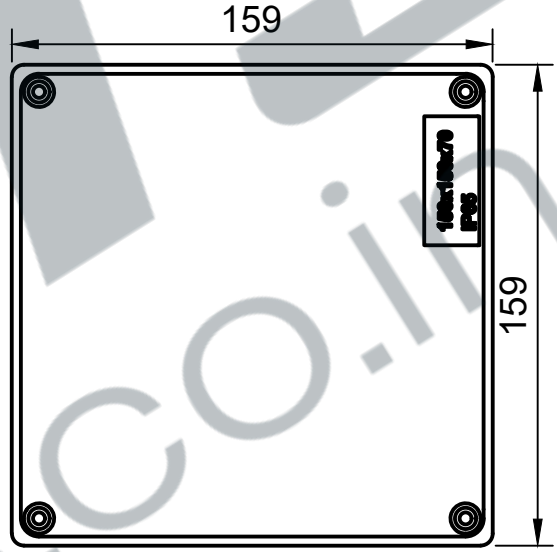


GASKET

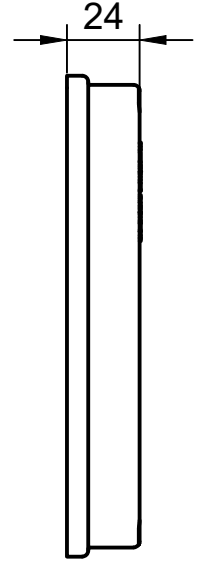


BOTTOM(SIDE)

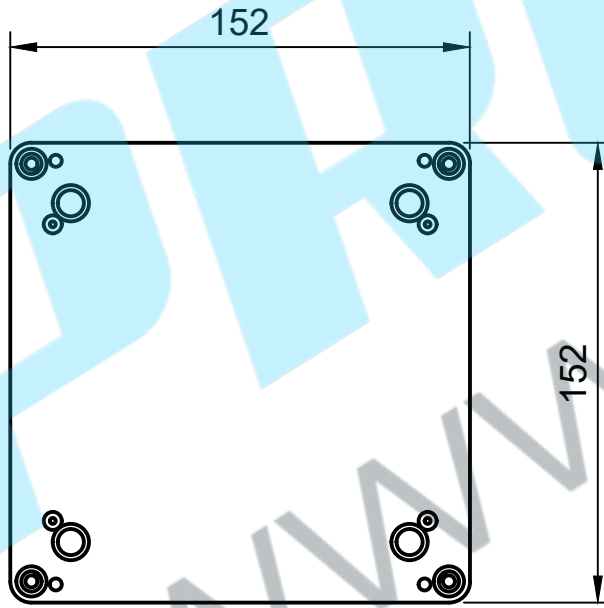
GASKET(SIDE)



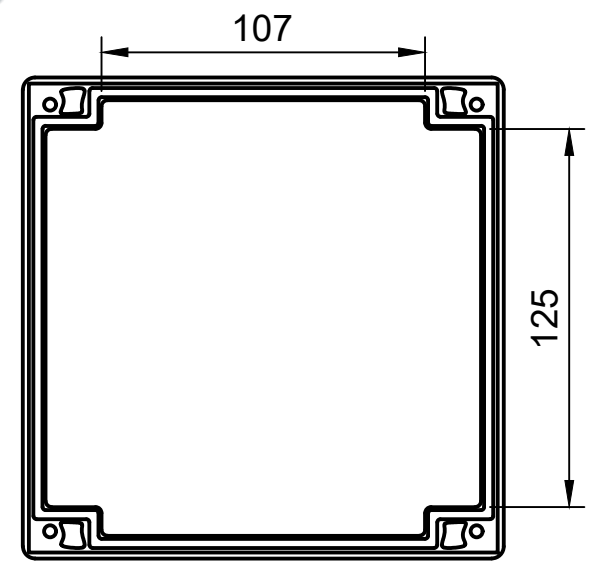
TOP(OD)



TOP(SIDE)



BOTTOM(OD)



TOP(ID)

NOTE:All dimenstions are in mm.
OD-Outerdiameter;ID-Innerdiameter.

Dept. MECH	Technical reference	Created by HEMANTH C 9/26/2020	Approved by PRATHEEK 9/26/2020
		Document type PDF	Document status
		Title WPE04 PROBOTS	DWG No. 1
		Rev.	Date of issue 9/26/2020
		Sheet 2/2	